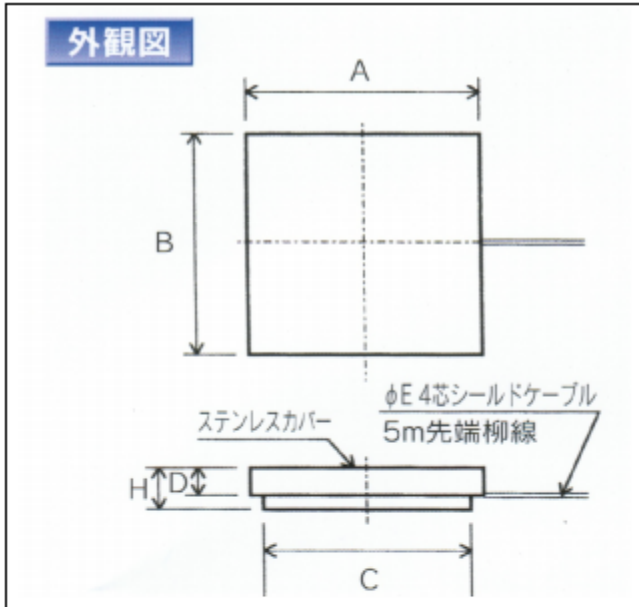


ULTRA LOW PROFILE LOAD CELL PL series

두께: 20mm~39mm

용량 5kg ~ 400kg



DIMENSIONS

(mm)

| Platform Sizes(□) | Rated Capacity(kgf) | A,B | C | D | φE | H |
|-------------------|---------------------|-----|-----|----|----|----|
| 120□ | 5 ~ 50 | 120 | 110 | 16 | 3 | 20 |
| 150□ | 5 ~ 50 | 150 | 140 | 17 | 3 | 21 |
| 180□ | 5 ~ 50 | 180 | 170 | 17 | 5 | 21 |
| 210□ | 5 ~ 100 | 210 | 200 | 17 | 5 | 21 |
| 250□ | 20 ~ 100 | 250 | 240 | 17 | 5 | 21 |
| | 200 ~ 400 | | | 24 | | 31 |
| 260□ | 20 ~ 100 | 260 | 250 | 17 | 5 | 21 |
| | 200 ~ 400 | | | 24 | | 31 |
| 300□ | 20 ~ 400 | 300 | 290 | 24 | 5 | 31 |
| 335□ | 20 ~ 400 | 335 | 325 | 24 | 5 | 31 |
| 420□ | 20 ~ 100 | 420 | 410 | 28 | 5 | 34 |
| | 200 ~ 400 | | | | | 35 |
| 500□ | 50 ~ 400 | 500 | 490 | 28 | 5 | 35 |
| 600□ | 100 ~ 400 | 600 | 590 | 32 | 5 | 39 |

Note : The size 'H' of 'AN' Series with platform
Size of 210 □ is 22mm instead of 20mm

The PL series load cells are the ultimate in low profile. They are designed to measure the weight of chemical drum liquid gas and many other industrial applications

The sensing element incorporates special strain gauges of the highest quality and are sealed for protection against most industrial environments.

SPECIFICATIONS

| | PLL(0.25%) | PLS(0.1%) | PLP(0.05%) | PLL-AN(0.25%) | PLS-AN(0.1%) |
|-------------------------------------|--|----------------|----------------|--------------------------|--------------|
| Rated Capacity | 5kg, 10, 20, 50, 100, 200, 300, 400 kg | | | | |
| Rated Output (R.O) | 2mV/V ± 1% | | | 4~20mA | |
| Non-Linearity | 0.25% R.O | 0.1% R.O | 0.05% R.O | 0.25% R.O | 0.1% R.O |
| Hysteresis | 0.25% R.O | 0.1% R.O | 0.05% R.O | 0.25% R.O | 0.1% R.O |
| Repeatability | 0.1% R.O | 0.05% R.O | 0.025% R.O | 0.1% R.O | 0.05% R.O |
| Off-Center Error | 0.5% R.O | 0.1% R.O | 0.05% R.O | 0.25% R.O | 0.1% R.O |
| Recommended Input | 10V AC/DC | | | 24V DC | |
| Maximum Input | 30V AC/DC | | | | |
| Zero-Balance | ± 5% | | | Load Resistance 500Ω Max | |
| Resistance between Input Terminals | 800Ω ± 10Ω | | | Zero Adjustable Range | ± 20% F.S |
| Resistance between Output Terminals | 700Ω ± 5Ω | | | Sensitivity Adjustable | ± 20% F.S |
| Insulation Resistance | Minimum 1000MΩ (at DC 50V) | | | | |
| Compensated Temperature | -10 ~ + 50℃ (without condensation) | | | | |
| Maximum Temperature | -10 ~ + 60℃ (without condensation) | | | | |
| Thermal Zero Shift | 0.1%R.O / 10℃ | 0.05%R.O / 10℃ | 0.05%R.O / 10℃ | 0.1%R.O / 10℃ | |
| Thermal Sensitivity | 0.1%LOAD/10℃ | 0.05%LOAD/10℃ | 0.05%LOAD/ 10℃ | 0.1%LOAD/10℃ | |
| Maximum Overload | 150% R.C | | | | |
| Cable | 4-Conductor, Shielded Cable, 5m length pig tail ended φ3(120□, 150□) φ5 (Larger than 150□ platform) | | | | |
| External Dimensions | Refer to attached outline drawing | | | | |
| Weight | Approx. 7kg. at platforms size of 335 □ | | | | |

SELECTION CHART

| Size | Model | PLL / PLS | | | | | | | | PLP | | | | | | | | |
|------|-------|-----------|-----|------|------|------|-------|-------|-------|-------|-----|------|------|------|-------|-------|-------|-------|
| | | Range | 5kg | 10kg | 20kg | 50kg | 100kg | 200kg | 300kg | 400kg | 5kg | 10kg | 20kg | 50kg | 100kg | 200kg | 300kg | 400kg |
| 120□ | | ○ | ○ | ○ | ○ | | | | | ○ | ○ | ○ | ○ | | | | | |
| 150□ | | ○ | ○ | ○ | ○ | | | | | ○ | ○ | ○ | ○ | | | | | |
| 180□ | | ○ | ○ | ○ | ○ | | | | | ○ | ○ | ○ | ○ | | | | | |
| 210□ | | ○ | ○ | ○ | ○ | ○ | | | | ○ | ○ | ○ | ○ | ○ | | | | |
| 250□ | | | | ○ | ○ | ○ | ○ | ○ | ○ | | | ○ | ○ | ○ | ○ | ○ | ○ | ○ |
| 260□ | | | | ○ | ○ | ○ | ○ | ○ | ○ | | | ○ | ○ | ○ | ○ | ○ | ○ | ○ |
| 300□ | | | | ○ | ○ | ○ | ○ | ○ | ○ | | | ○ | ○ | ○ | ○ | ○ | ○ | ○ |
| 335□ | | | | ○ | ○ | ○ | ○ | ○ | ○ | | | ○ | ○ | ○ | ○ | ○ | ○ | ○ |
| 420□ | | | | | ○ | ○ | ○ | ○ | ○ | | | | ○ | ○ | ○ | ○ | ○ | ○ |
| 500□ | | | | | ○ | ○ | ○ | ○ | ○ | | | | | | | | | |
| 600□ | | | | | | ○ | ○ | ○ | ○ | | | | | | | | | |

Note ;The model PLL-AN and PLS-AN Series are available only in platform sizes larger than 210 □

NOMENCLATURE

| MODEL | Auxiliary Codes | Description |
|-------|-----------------|---|
| PL | | Ultra-Thin Platform Scale |
| | L | Accuracy:0.25% |
| | S | Accuracy:0.1% |
| | P | Accuracy:0.05% |
| | -AN | Provided with the output of 4~20mA (in PLL, PLS only) |
| | - ※ L | Rated Load in kgf (5~400kgf) |
| | - ※ □ | Platform Sizes (120~600mm) |

Example : PLL-100L-300□

www.ktoyo.co.kr



デジタル指示計との組み合わせ例

超薄型台はかり
PLL/PLS/PLP

デジタル指示計
TI-702



- コンバレート出力2ch
- アナログ出力 0~±5V, 0~10V
4~20mA のいずれか
- 電源DC24V (オプションAC100V)

DLS-5011A



- コンバレート出力1ch
- 電源AC100V~120V (オプションDC24V)

DLS-5025B



- コンバレート出力4ch
- アナログ出力 0~±5V, 0~10V, 4~20mA
RS-232C (オプション)
- 電源AC100V~240V (オプションDC24V)

DLS-5025B



大型表示器
ED-3020/3021

- 電源AC100V~240V (オプションDC24V)

DLS-5028A



- コンバレート出力4ch
- アナログ出力 0~±5V, 0~10V, 4~20mA
RS-232C (オプション)
- 電源AC100V~120V (オプションDC24V)

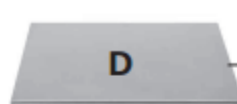
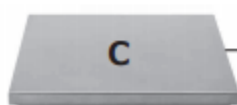
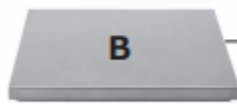
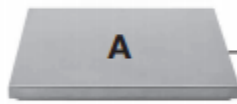
A

B

C

D

DLS-5031A



- コンバレート出力8ch
- RS-232C シリアル出力
- アナログ出力 0~±10V, 4~20mA
(オプション)
- 電源AC100V~240V